

# CFG

■ Order by Part Number

## SLATE™

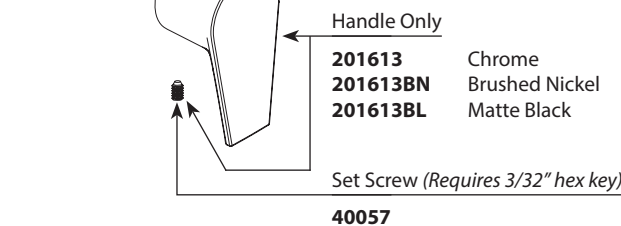
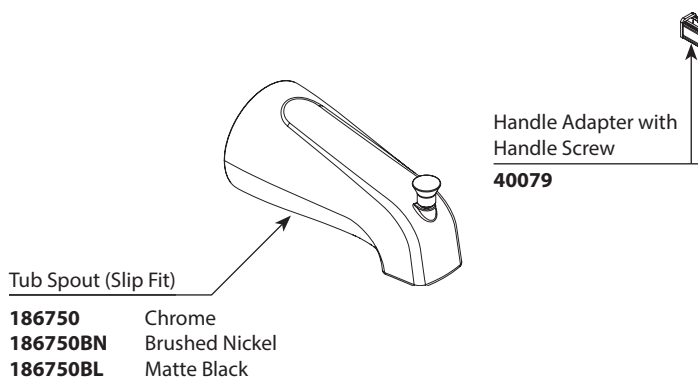
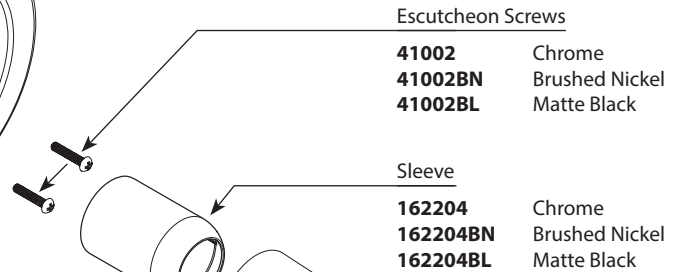
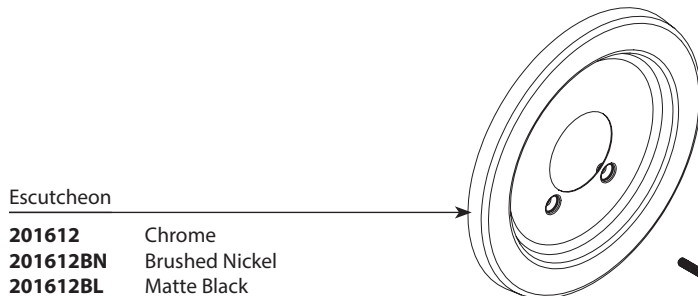
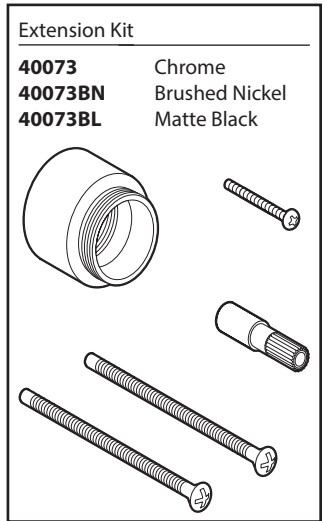
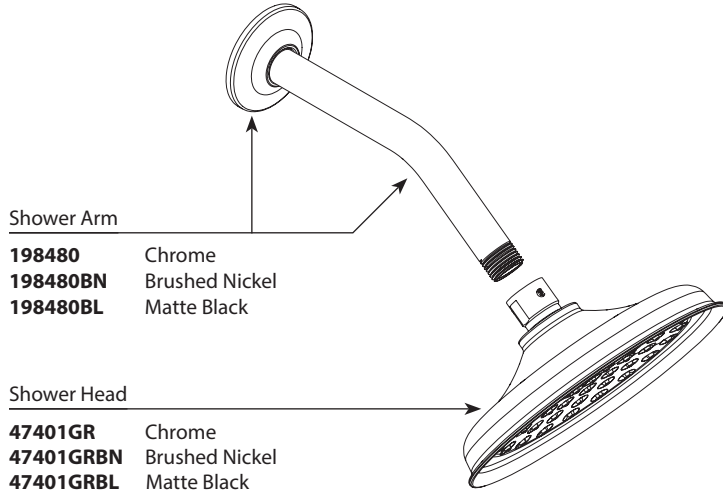
### Single-Handle Tub/Shower Cycling Trim

#### SHOWER TRIM ONLY

MODEL	FINISH
48002CGR	Chrome
48002BNGR	Brushed Nickel
48002BLGR	Matte Black
48002NHBGR	Brushed Nickel
48002NHBLGR	Matte Black

#### TUB/SHOWER TRIM

MODEL	FINISH
48003CGR	Chrome
48003BNGR	Brushed Nickel
48003BLGR	Matte Black
48003NHBGR	Brushed Nickel
48003NHBLGR	Matte Black



UNIFORMS: 8/17/16 3000/03/16  
 8/20/16